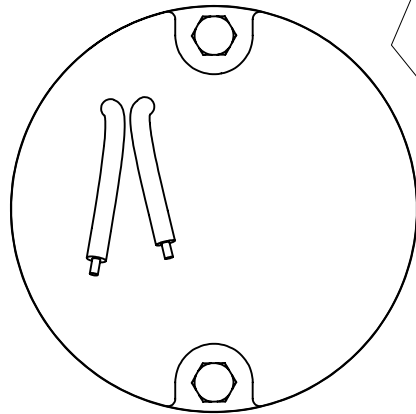
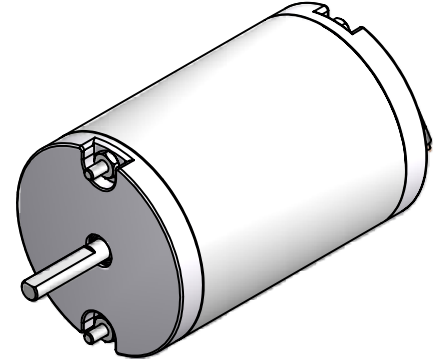
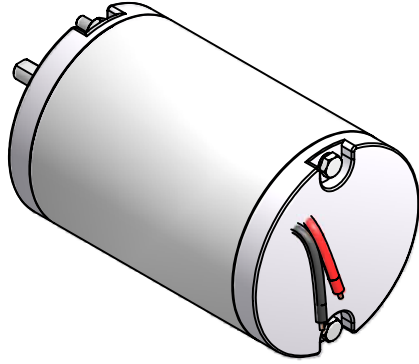
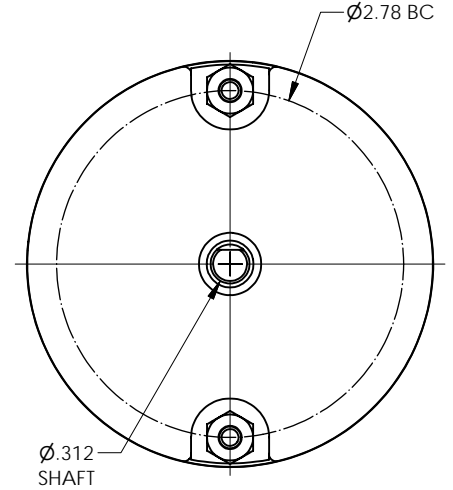
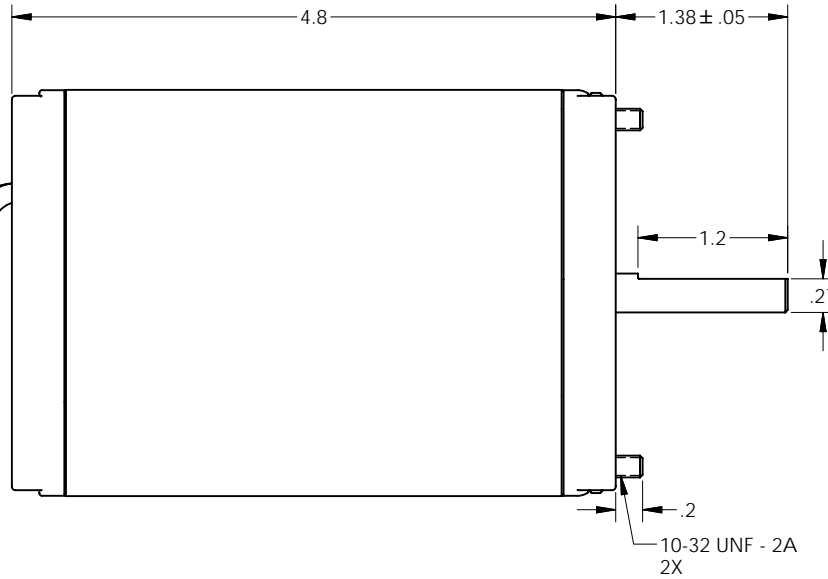
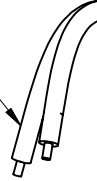


THIS DOCUMENT AND THE INFORMATION CONTAINED HEREIN ARE PROPERTY OF MINNESOTA ELECTRIC TECHNOLOGY INC. AND MUST NOT BE REPRODUCED, COPIED, OR DISCLOSED TO OTHERS EXCEPT AS SPECIFICALLY AUTHORIZED BY MINNESOTA ELECTRIC TECHNOLOGY INC.



REV		ECO	DATE	REVISION HISTORY	DWR	CHKR
A		-	1/7/2008	RELEASED	DJG	KW



16 AWG LEADS  
8" FROM ENDBELL



- NOTES:  
 1) PART TO BE FREE FROM BURRS AND SHARP EDGES  
 2) ALL EDGES C.020 MAX UNLESS SPECIFIED  
 3) ALL CORNERS R.020 MAX UNLESS SPECIFIED

UNLESS OTHERWISE SPECIFIED		FIRST USED:		 MINNESOTA ELECTRIC TECHNOLOGY WWW.METMOTORS.COM MANKATO, MN 56001 USA
ALL DIM ARE IN INCHES. INTERPRET DIM AND TOL PER ASME Y14.5M-1994. DO NOT SCALE.	TOLERANCES ANGLE - ± 1° FRACTION - ± 1/64 DECIMAL: .x = ± .05 .xx = ± .01 .xxx = ± .005 .xxxx = +.0002/- .0003	JOB NO: 3A-12102151	CREATED: DJG 1/7/2008	
THIRD ANGLE PROJECTION		MATERIAL:	SOURCE PRINT:	REV A V1
				SIZE C
				SHEET 1 / 1