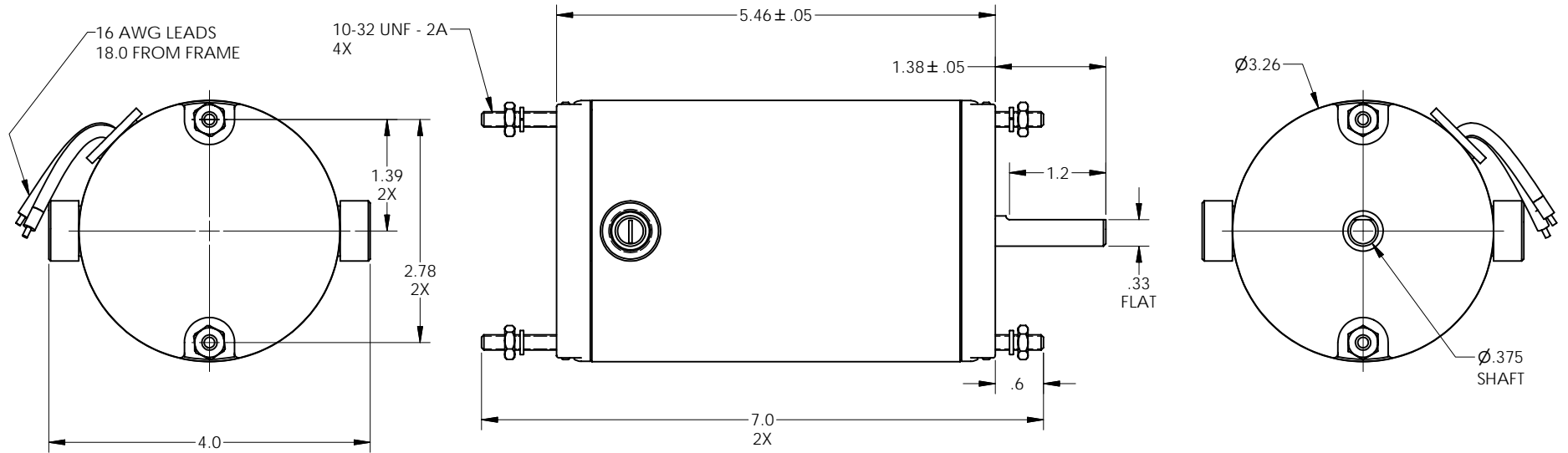
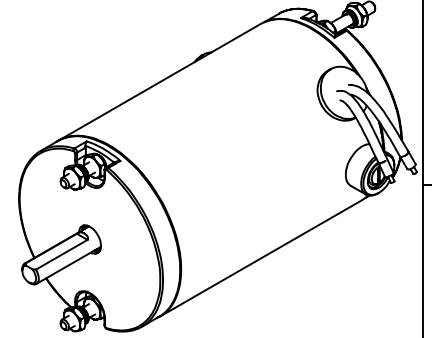
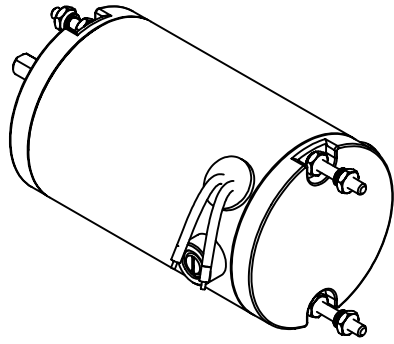

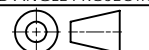


THIS DOCUMENT AND THE INFORMATION CONTAINED HEREIN ARE PROPERTY OF MINNESOTA ELECTRIC TECHNOLOGY INC. AND MUST NOT BE REPRODUCED, COPIED, OR DISCLOSED TO OTHERS EXCEPT AS SPECIFICALLY AUTHORIZED BY MINNESOTA ELECTRIC TECHNOLOGY INC.

REV		ECO	DATE	REVISION HISTORY		DWR	CHKR
A	-		9/10/2008	RELEASED		DJG	KAL



- NOTES:
- PART TO BE FREE FROM BURRS AND SHARP EDGES
  - ALL EDGES C.02 MAX UNLESS SPECIFIED
  - ALL CORNERS R.02 MAX UNLESS SPECIFIED

UNLESS OTHERWISE SPECIFIED		FIRST USED:		 MINNESOTA ELECTRIC TECHNOLOGY WWW.METMOTORS.COM MANKATO, MN 56001 USA	
ALL DIM ARE IN INCHES. INTERPRET DIM AND TOL PER ASME Y14.5M-1994. DO NOT SCALE.	TOLERANCES ANGLE - ± 1° FRACTION - ± 1/64 DECIMAL: .x = ± .05 .xx = ± .01 .xxx = ± .005 .xxxx = +.0002/- .0003	JOB NO: 87-1204 MODEL NO: 3B-9013122D	CREATED: DJG 9/10/2008	DWG NO. <b>300-7001B-20</b>	REV <b>A</b> V4
THIRD ANGLE PROJECTION		MATERIAL:	SOURCE PRINT:	TITLE <b>OUTLINE</b>	SIZE C
					SHEET 1 / 1