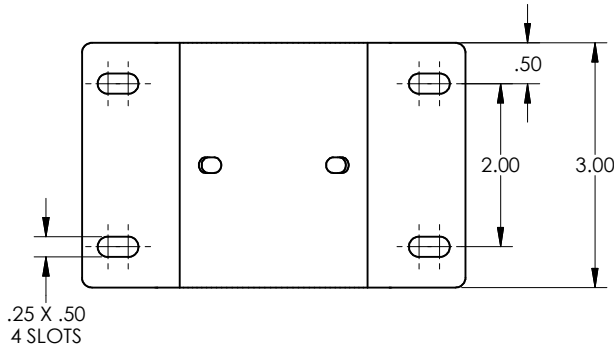
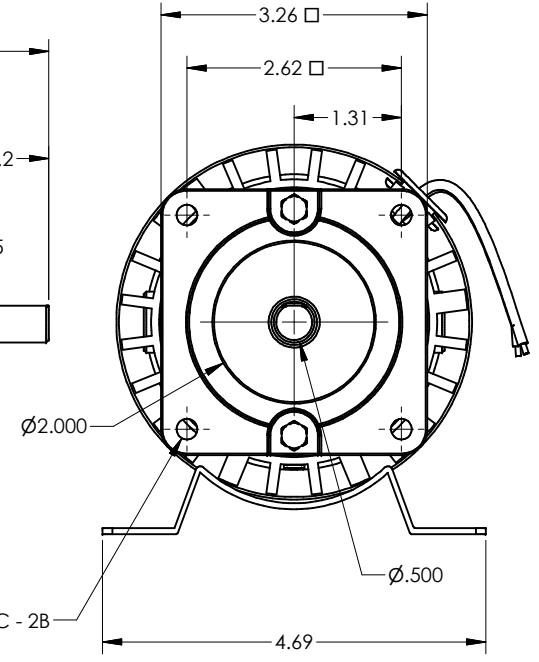
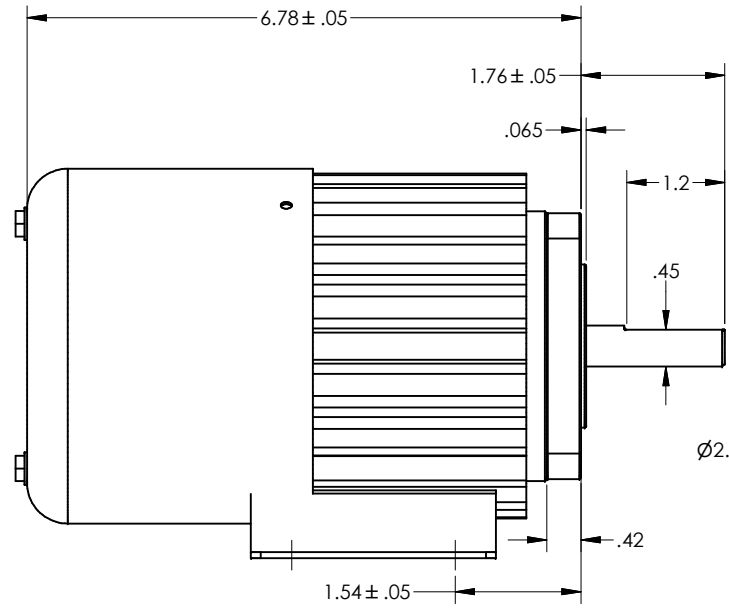
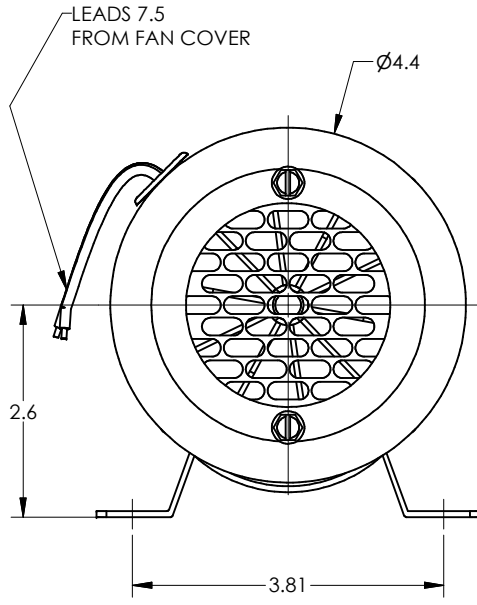

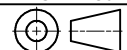


THIS DOCUMENT AND THE INFORMATION CONTAINED HEREIN ARE PROPERTY OF MINNESOTA ELECTRIC TECHNOLOGY INC. AND MUST NOT BE REPRODUCED, COPIED, OR DISCLOSED TO OTHERS EXCEPT AS SPECIFICALLY AUTHORIZED BY MINNESOTA ELECTRIC TECHNOLOGY INC.

REVISION HISTORY					
REV	ECO	DATE	DESCRIPTION	DWR	CHKR
E	34922	8/10/1995	6.63 WAS 7.23	MLK	TB
F	35244	2/6/1996	6.78 WAS 6.63	MLK	-
G	38335	8/13/2001	4.69, 3.81 WAS 4.62, 3.75	NAH	-
G	-	10/22/2010	REDRAWN TO CURRENT MET STANDARDS; NO CHANGE	DJG	-



- NOTES:
- PART TO BE FREE FROM BURRS AND SHARP EDGES
 - ALL EDGES C.02 MAX UNLESS SPECIFIED
 - ALL CORNERS R.02 MAX UNLESS SPECIFIED

UNLESS OTHERWISE SPECIFIED		FIRST USED:	
ALL DIM ARE IN INCHES. INTERPRET DIM AND TOL PER ASME Y14.5M-1994. DO NOT SCALE.	TOLERANCES ANGLE - ± 1° FRACTION - ± 1/64 DECIMAL: .x = ± .05 .xx = ± .01 .xxx = ± .005 .xxxx = +.0002/- .0003	JOB NO: 87-3006 MODEL NO: 3B-2425363C	 MINNESOTA ELECTRIC TECHNOLOGY WWW.METMOTORS.COM MANKATO, MN 56001 USA
THIRD ANGLE PROJECTION		CREATED: JMB 3/15/1988	DWG NO. 306-1312B-00
		MATERIAL:	TITLE OUTLINE
		SOURCE PRINT:	REV G v2
			SIZE C
			SHEET 1 / 1