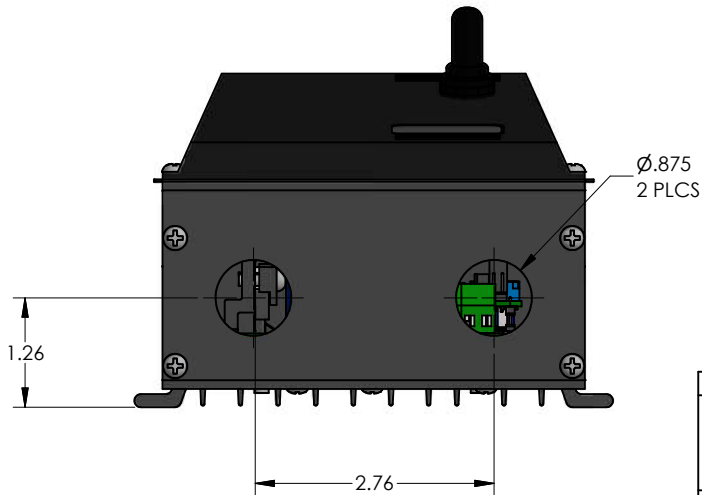
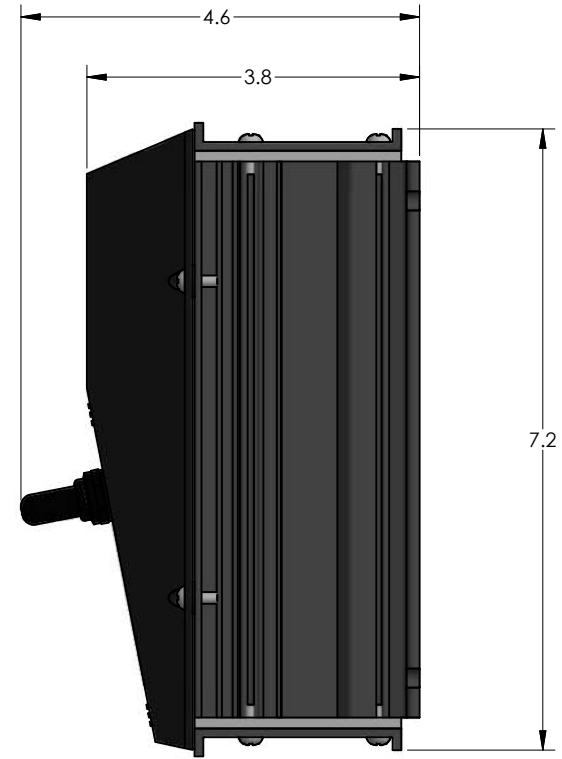
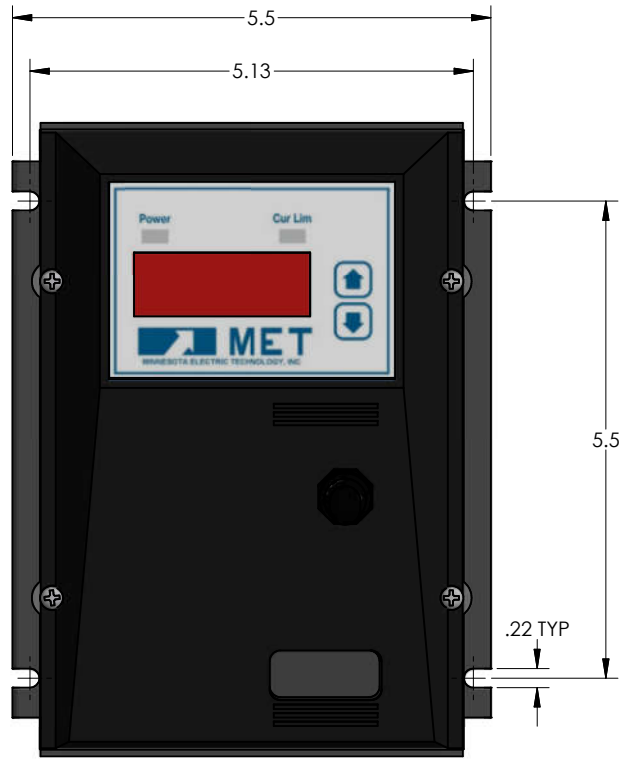




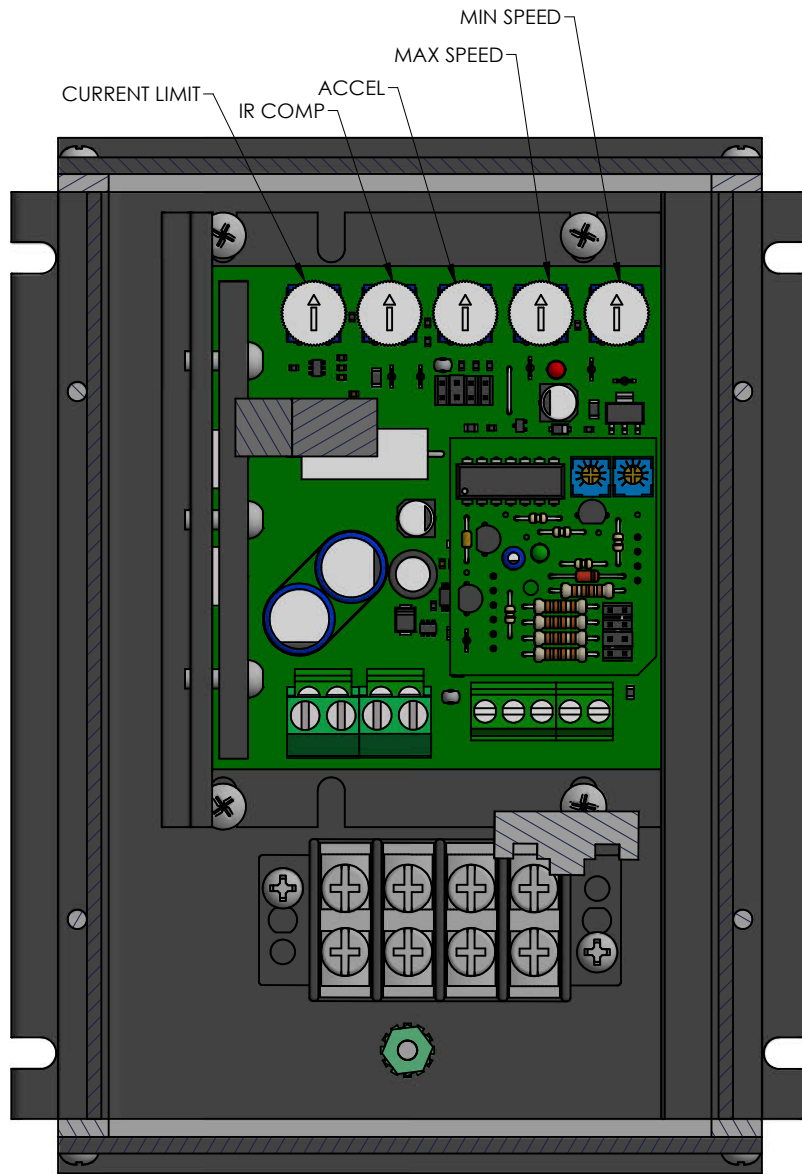
THIS DOCUMENT AND THE INFORMATION CONTAINED HEREIN ARE PROPERTY OF MINNESOTA ELECTRIC TECHNOLOGY INC. AND MUST NOT BE REPRODUCED, COPIED, OR DISCLOSED TO OTHERS EXCEPT AS SPECIFICALLY AUTHORIZED BY MINNESOTA ELECTRIC TECHNOLOGY INC.

| REVISION HISTORY |     |           |             |     |      |
|------------------|-----|-----------|-------------|-----|------|
| REV              | ECO | DATE      | DESCRIPTION | DWR | CHKR |
| A                | -   | 9/12/2017 | Released    | PLH | BP   |

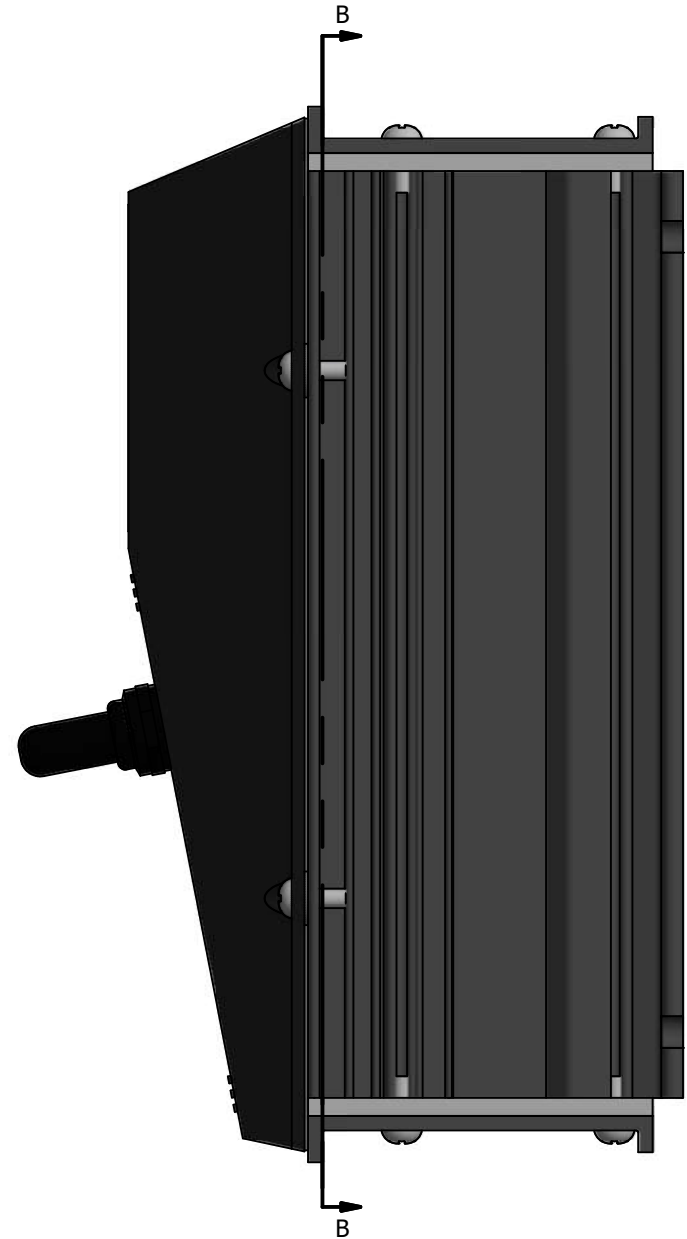



INPUT AC VOLTAGE: 120  
OUTPUT DC VOLTAGE: 0 - 90  
AMPS: 10 AMPS CONTINUOUS

| UNLESS OTHERWISE SPECIFIED  |   | FIRST USED:   |  MINNESOTA ELECTRIC TECHNOLOGY<br>WWW.METMOTORS.COM<br>MANKATO, MN 56001 USA |
|---|---|---|---|
| ALL DIM ARE IN INCHES.<br>INTERPRET DIM AND TOL<br>PER ASME Y14.5M-1994.<br>DO NOT SCALE. | TOLERANCES<br>ANGLE - ± 1°<br>FRACTION - ± 1/64<br>DECIMAL:<br>.x = ± .05<br>.xx = ± .01<br>.xxx = ± .005<br>.xxxx = +.0002/-0.0003 | JOB NO:<br>MODEL NO:<br>CREATED:<br>pete 9/12/2017<br>MATERIAL: |   |
| THIRD ANGLE PROJECTION  |   | SOURCE PRINT:   | TITLE<br><b>CONTROLLER</b>  |
|   |   |   | REV<br><b>A</b> v19<br>SIZE<br><b>C</b><br>SHEET<br>1 / 2   |



SECTION B-B  
SCALE 1.5



| UNLESS OTHERWISE SPECIFIED  |                       | FIRST USED:         |  |
|---|-----------------------|---------------------|--|
| ALL DIM ARE IN INCHES.<br>INTERPRET DIM AND TOL<br>PER ASME Y14.5M-1994.<br>DO NOT SCALE. | TOLERANCES            | JOB NO:             |  <b>MET</b> MINNESOTA ELECTRIC TECHNOLOGY<br>WWW.METMOTORS.COM<br>MANKATO, MN 56001 USA |
|   | ANGLE - $\pm 1^\circ$ | MODEL NO:           |  |
|   | FRACTION - $\pm 1/64$ | CREATED:            | DWG NO.  |
| DECIMAL:  | pete 9/12/2017        | <b>326-12000-90</b> | REV  |
| .x = $\pm .05$  | MATERIAL:             | TITLE               | <b>A</b> v19   |
| .xx = $\pm .01$   | SOURCE PRINT:         | <b>CONTROLLER</b>   | SIZE   |
| .xxx = $\pm .005$   |                       |                     | <b>C</b>   |
| .xxxx = $\pm .0002/-0.0003$   |                       |                     | SHEET  |
| THIRD ANGLE PROJECTION  |                       |                     | <b>2 / 2</b>   |

